



32-5063-05

Available in French Canadian (FC)

# User's Information Guide

## Gas Furnaces — Non-Condensing Fan Assisted Combustion System Upflow/Horizontal and Downflow/Horizontal

### WARNING

If the information in this manual is not followed exactly, a fire or explosion may result causing property damage, personal injury or loss of life.

- Do not store or use gasoline or other flammable vapors or liquids in the vicinity of this or any other appliance.
- WHAT TO DO IF YOU SMELL GAS
  - Do not try to light any appliance.
  - Do not touch any electrical switch; do not use any phone in your building.
  - Immediately call your gas supplier from a neighbor's phone. Follow the gas supplier's instructions.
  - If you cannot reach your gas supplier, call the fire department.
- DO NOT RELY ON SMELL ALONE TO DETECT LEAKS. DUE TO VARIOUS FACTORS, YOU MAY NOT BE ABLE TO SMELL FUEL GASES.
  - U.L. recognized fuel gas and CO detectors are recommended in all applications, and their installation should be in accordance with the manufacturer's recommendations and/or local laws, rules, regulations, or customs.
- Installation and service must be performed by a qualified installer, service agency or the gas supplier.

### WARNING

#### SAFETY HAZARD

DO NOT USE THIS UNIT IF ANY PART HAS BEEN UNDER WATER. IMMEDIATELY CALL A QUALIFIED SERVICE TECHNICIAN TO INSPECT THE FURNACE AND TO REPLACE ANY PART OF THE CONTROL SYSTEM AND ANY GAS CONTROL WHICH HAS BEEN UNDER WATER.

FAILURE TO FOLLOW THIS WARNING MAY RESULT IN PERSONAL INJURY, PROPERTY DAMAGE, OR DEATH.

## Contents

Dangers, Warnings & Cautions	1
General Information	1
To Start the Furnace	2
Proper Maintenance	4
The Problem Solver	6
Regular Dealer Maintenance	7
Warranty	9

### GENERAL INFORMATION

Understand the signal words **WARNING** and **CAUTION**. These words are safety alert words. **WARNING** indicates hazards which **could** result in personal injury or death. **CAUTION** is used to indicate unsafe practices which could result in minor injury or property damage.

#### IMPORTANT FACTS

The flow of combustion and ventilating air must not be obstructed from reaching the furnace. Air openings provided in the casing of the furnace must be kept free of obstructions which would restrict airflow, thereby affecting efficiency and safe operation of your furnace.

Also, air openings provided to the area in which the furnace is installed and the space around the furnace shall not be blocked or obstructed. Keep this in mind should you choose to remodel the area which contains your furnace. If additional insulation is added after the furnace is installed, the area around the furnace must be inspected to ensure it is free and clear of insulation. If this furnace is installed in an attic or other insulated space it must be kept free and clear of all insulating materials as some insulating materials are combustible.

Furnaces must have air for proper performance. There must be a free flow of fresh air sufficient for efficient combustion and safe ventilation of your furnace.

The combustion air for your furnace must be fresh uncontaminated air. Paints, varnishes, laundry bleaches, detergents, many household cleaners, water softening salts, adhesives, and all such products release fumes containing compounds which could lead to early heat exchanger and vent system deterioration. Do not store these types of products near your furnace.

# User's Information

**Never store gasoline, combustible materials, or other flammable liquids or vapors near your furnace.**

Carbon monoxide, fire or smoke can cause serious bodily injury, death, and/or property damage.

A variety of potential sources of carbon monoxide can be found in a building or dwelling such as gas-fired clothes dryers, gas cooking stoves, water heaters, furnaces and fireplaces. The U.S. Consumer Product Safety Commission recommends that users of gas-burning appliances install carbon monoxide detectors as well as fire and smoke detectors, listed by a nationally recognized agency (e.g. Underwriters Laboratories or International Approval Services), to help alert dwelling occupants of the presence of fire, smoke or unsafe levels of carbon monoxide.

**NOTE: The manufacturer of your furnace does not test any detectors and makes no representations regarding any brand or type of detector.**

## ⚠ WARNING

### SAFETY HAZARD

**BODILY INJURY CAN RESULT FROM HIGH VOLTAGE ELECTRICAL COMPONENTS, FAST MOVING FANS, AND COMBUSTIBLE GAS. FOR PROTECTION FROM THESE INHERENT HAZARDS DURING INSTALLATION AND SERVICING, THE ELECTRICAL SUPPLY MUST BE DISCONNECTED AND THE MAIN GAS VALVE MUST BE TURNED OFF. FAILURE TO FOLLOW THIS WARNING MAY RESULT IN PERSONAL INJURY, PROPERTY DAMAGE, OR DEATH.**

Installing and servicing heating equipment can be hazardous due to gas and electrical components. Only trained and qualified personnel should install, repair or service heating equipment.

Untrained personnel can perform basic maintenance functions such as cleaning and replacing filters. All other operations must be performed by trained service personnel.

Parts and controls of this furnace are unique. Should service or modification be required, be sure your servicer uses only factory authorized parts, kits, or accessories for this furnace.

If you experience a problem with the operation of your furnace, check the "Problem Solver" section of this manual before you call for a possibly unneeded service call.

## ⚠ WARNING

### SAFETY HAZARD

**IMPROPER INSTALLATION, ADJUSTMENT, ALTERATION, SERVICE, OR MAINTENANCE CAN CAUSE INJURY OR PROPERTY DAMAGE. REFER TO THE INSTALLATION INSTRUCTIONS PROVIDED WITH THE FURNACE AND THIS MANUAL. FOR ASSISTANCE OR ADDITIONAL INFORMATION CONSULT A QUALIFIED INSTALLER, SERVICE AGENCY, OR THE GAS SUPPLIER. FAILURE TO FOLLOW THIS WARNING MAY RESULT IN PERSONAL INJURY, PROPERTY DAMAGE, OR DEATH.**

## To Start the Furnace

### Lighting instructions.

Your furnace does not use a continuously burning pilot flame. Therefore, manually lighting your furnace is not required. Your furnace is equipped with an automatic ignition system. It uses a hot surface ignition device that automatically lights the burners each time the thermostat signals the furnace to start.

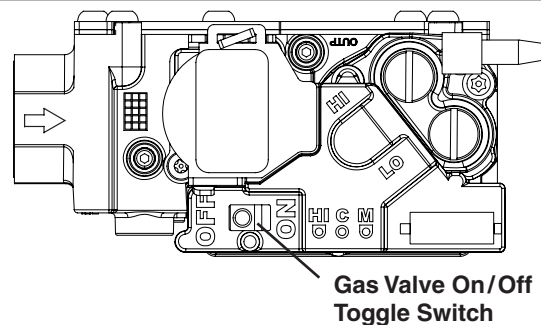
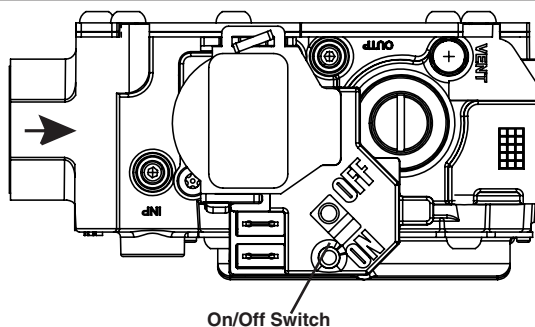
## ⚠ WARNING

### SAFETY HAZARD

**DO NOT ATTEMPT TO MANUALLY LIGHT THE FURNACE. FAILURE TO FOLLOW THIS WARNING MAY RESULT IN PERSONAL INJURY, PROPERTY DAMAGE, OR DEATH.**

1. Please read all safety information in this book before operating furnace.
2. Set thermostat to lowest setting. Turn off all electric power to furnace.
3. Remove the furnace front panel to gain access to the main gas valve.

4. Turn gas cock knob clockwise or the toggle switch located on the main gas valve inside the unit to "OFF" position (see illustration on this page). If external gas cock is used, turn to "OFF" position (see illustration on next page). Allow 5 minutes for any gas within the unit to escape. LP gas being heavier than air may require forced ventilation. If you smell gas STOP! Follow the "What To Do If You Smell Gas" instructions on the front cover of this book. If you don't smell gas, go to next step.
5. Turn gas cock knob counterclockwise or the toggle switch to "ON" marker (see illustration on this page).
6. Replace the furnace front access panel.
7. Turn on main electrical supply and set thermostat to desired setting. Combustion blower will start and ignition device will start to heat up. After approximately 15 seconds main gas valve will open and burners will ignite.



**Your furnace may have a "Knob Switch" or a "Toggle Switch" to turn the gas ON or OFF.**

# User's Information

8. When thermostat is satisfied, main burners will extinguish.
9. If main burners fail to ignite, lower thermostat setting or disconnect electrical supply, wait 5 minutes, raise thermostat setting above indicated temperature.
10. If furnace will not light, turn "OFF" all gas and electricity to unit and call servicer or gas supplier.

### For complete shutdown.

Turn gas cock knob on main gas valve to "OFF" position. Disconnect electrical supply to unit.

## ⚠ CAUTION

If this is done during the cold weather months, provisions must be taken to prevent freeze-up of all water pipes and water receptacles.

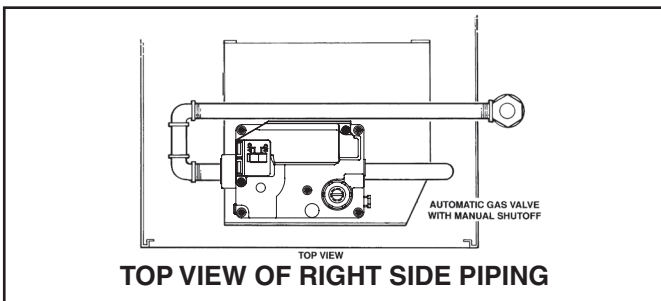
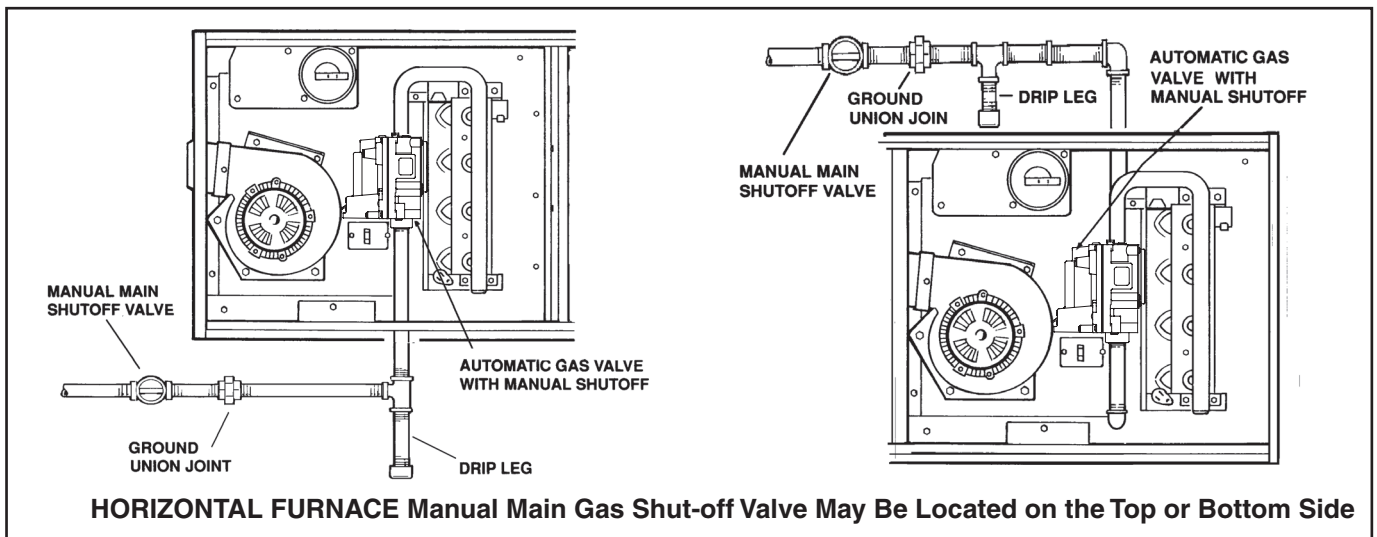
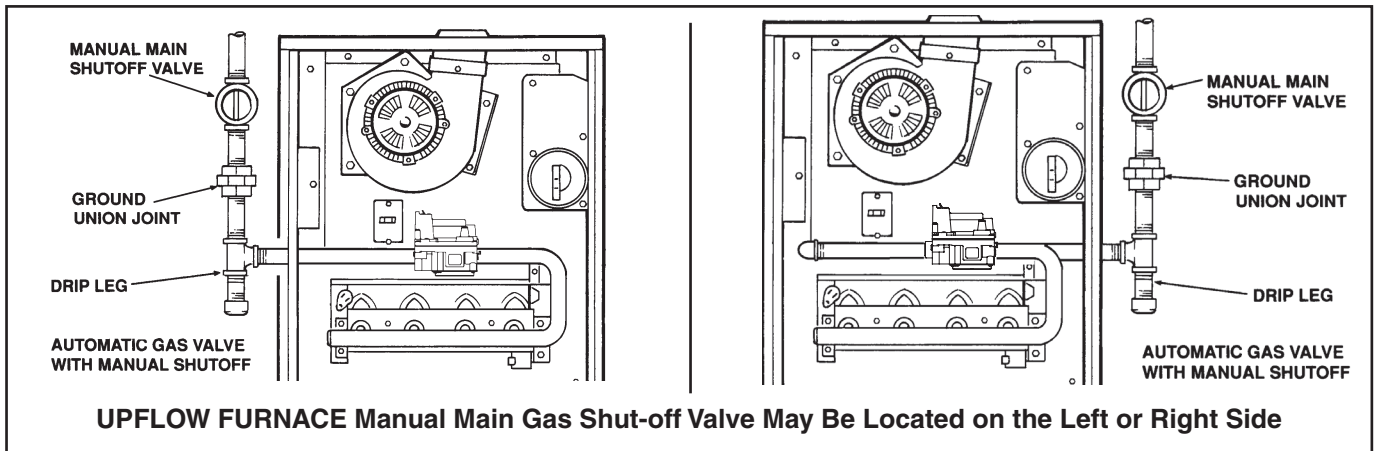
Whenever your house is to be vacant, arrange to have someone inspect your house for proper temperature. If your furnace should fail to operate, damage could result, such as frozen water pipes.

### Flame Roll-out Device.

All models are equipped with a fusible link located near the burners. In case of flame roll-out, the link will open (melt) and cause the circuit to open which shuts off all flow of gas.

## NOTE THE LOCATION OF THE MANUAL MAIN GAS SHUTOFF VALVE FOR YOUR FURNACE.

Have your installer or servicer show you the location if you have any questions.



# User's Information

## Proper Maintenance Reduces Energy Use

### AIR FILTERS

**NOTE: Filters are NOT included with all Furnaces**

**A clean filter saves money.**

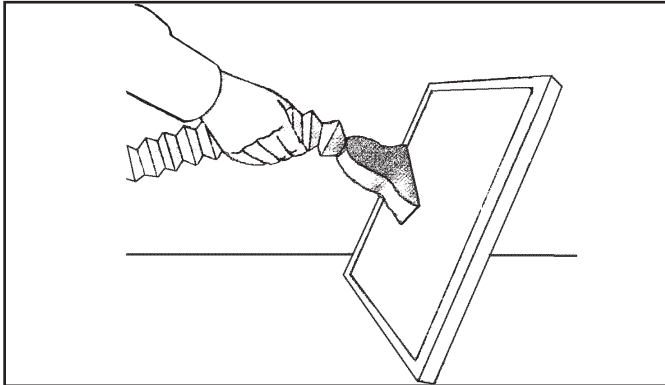
When the furnace circulates and filters the air in your home, dust and dirt particles build up on the filter. Excessive accumulation can block the airflow, forcing the unit to work harder to maintain desired temperatures.

And the harder your unit has to work, the more energy it uses. So you pay more any time your system is running with a dirty filter.

### ⚠ CAUTION

**Never operate your unit for either heating or cooling with filters removed.**

Help ensure top efficiency by cleaning the filter once a month. Clean it twice a month during seasons when the unit runs more often.



Your filter may or may not be framed.

You can clean the filter with a vacuum, OR you can wash it with a household detergent.

Both methods are quick and easy, and guaranteed to improve the performance of your system.

#### Replacing your filter.

When replacing your furnace filters, always use high velocity type which are the same size as originally supplied. Filters are available from your dealer.

Where disposable filters are used, they must be a high velocity type which are the same size as originally supplied.

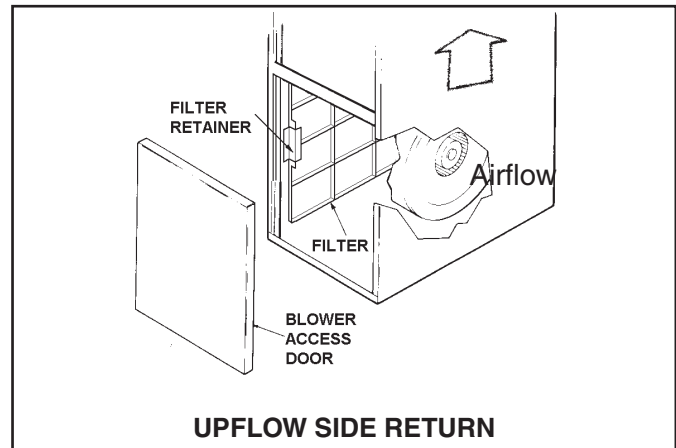
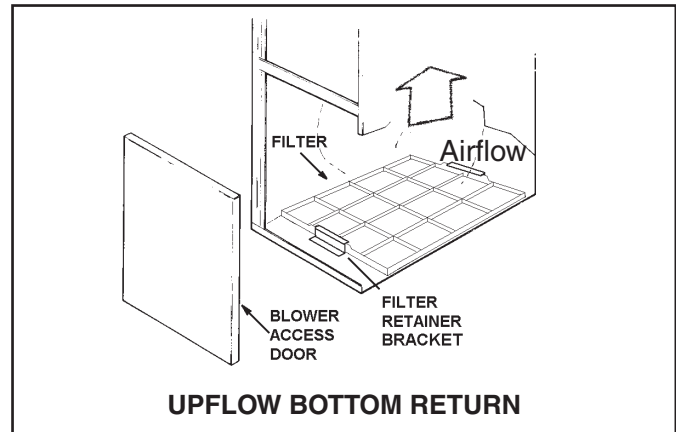
#### How to remove your filter.

### ⚠ WARNING

#### SAFETY HAZARD

**DISCONNECT POWER TO UNIT BEFORE MOVING THE BLOWER DOOR. FAILURE TO FOLLOW THIS WARNING MAY RESULT IN PERSONAL INJURY, PROPERTY DAMAGE, OR DEATH.**

Upflow furnaces use a high velocity type air filter which may be located within the furnace blower compartment in either a **BOTTOM** or **SIDE** (left or right) return air inlet. The furnace may be secured with filter retaining brackets (as shown) or a filter retainer wire.

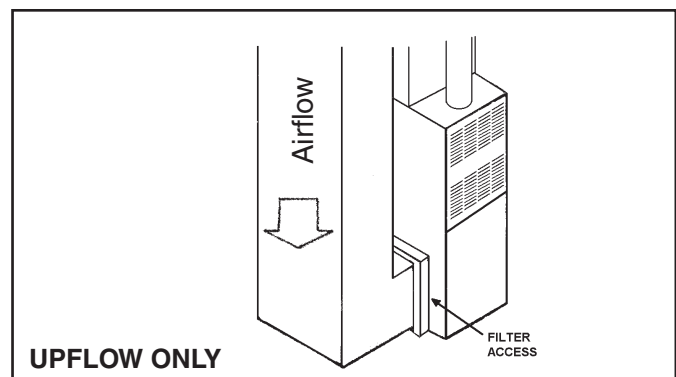


To replace filters, remove blower access door, push back to flex the filter and clear the filter retaining bracket at the front of the unit. After cleaning, replace the filter in the same manner making sure that the filter wire is secured in place in both front and back filter retaining brackets. Replace blower access door.

A bottom return air inlet as shown features a 17" x 25" x 1" filter in the 17-1/2" wide furnace cabinets; a 20" x 25" x 1" filter in the 21" wide models; and a 24" x 25" x 1" filter in the 24-1/2" wide cabinet.

For vertical UPFLOW ONLY, a left or right return air inlet as above (left side shown) requires trimming of the factory supplied filter to 17" x 25" x 1" for both the 21" and 24-1/2" wide furnaces.

Air filters may also be located outside of the furnace using a **SIDE FILTER FRAME**.



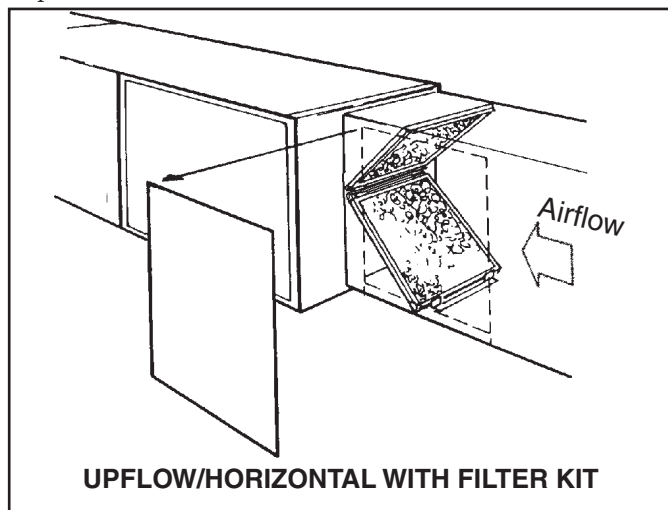
# User's Information

## Upflow/Horizontal Furnace Filters

The Upflow/Horizontal furnace when installed horizontally requires a horizontal filter kit. The filters may be located remote to the furnace or in the return air duct near the furnace. Check with your dealer for the location of your filters.

An upflow/horizontal furnace in horizontal return air filter application, as shown, features two 16" x 20" x 1" filters in the 17-1/2", 21" and 24-1/2" wide furnace cabinets.

To replace filters, remove the filter access door, lift the filter from the lower bracket and shift the filter to the side to free the top filter from the bracket and slide the filters out through the filter access door. After cleaning, replace the filters in the same manner making sure that the filters are secured in place in both top and bottom filter brackets. Replace filter access door.



Air filters may also be located outside of the furnace using a remote filter grille. The filter grille could be in a hallway, wall, or in the ceiling. Check with your dealer for the exact location of your filter and the method of changing the filters.

### UPFLOW FILTER TABLES

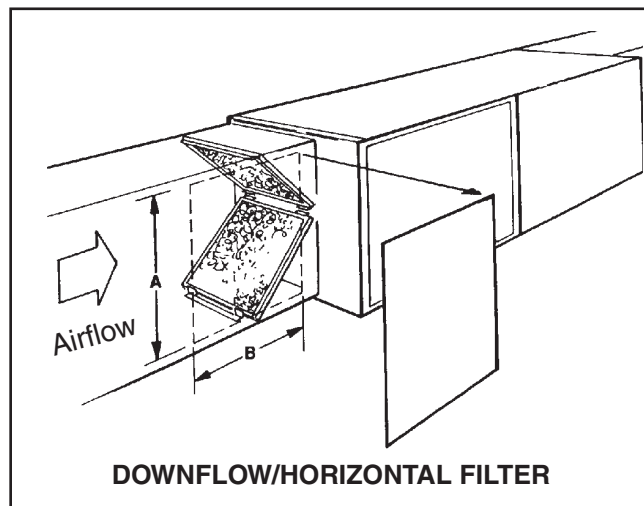
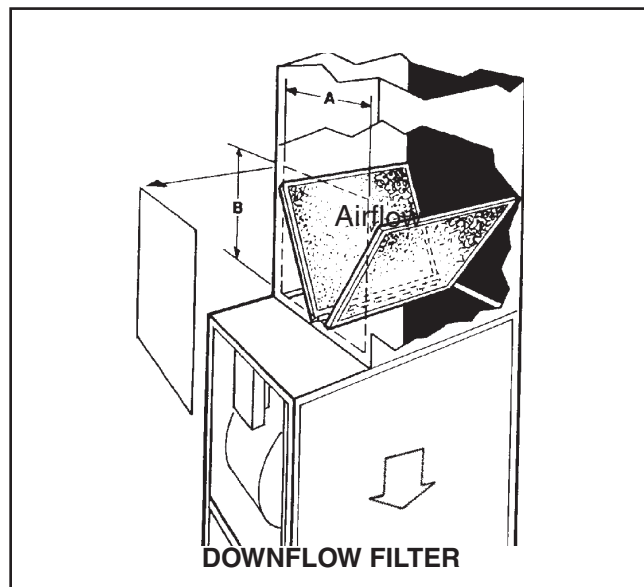
REQUIRED FILTERS - BOTTOM	
CABINET WIDTH	FILTER QUANTITY & SIZE
14-1/2"	1 - 14" X 25" X 1"
17-1/2"	1 - 17" X 25" X 1"
21"	1 - 20" X 25" X 1"
24-1/2"	1 - 24" X 25" X 1"

REQUIRED FILTERS - SIDE **	
CABINET WIDTH	FILTER QUANTITY & SIZE
14-1/2"	1 - 17" X 25" X 1"
17-1/2"	1 - 17" X 25" X 1"
21"	1 - 20" X 25" X 1"
24-1/2"	1 - 24" X 25" X 1"

\*\* ALL 5 TON AIRFLOW MODELS ("960", "961", OR "972"), **REQUIRE** BOTH SIDES **OR** 1 SIDE AND THE BOTTOM, **OR** JUST THE BOTTOM FOR SUFFICIENT AIRFLOW

Downflow/Horizontal furnaces are factory supplied with 2 standard size permanent type air filters which may be located remote to the furnace or in the return air duct. Check with your dealer for the location of your filters.

A downflow/horizontal furnace return air filter application, as shown, features two 14" x 20" x 1" filters in the 17-1/2" wide furnace cabinets; or two 16" x 20" x 1" filters in the 21" and 24-1/2" wide furnace cabinets.



### DOWNFLOW FILTER TABLE

REQUIRED FILTERS - DOWNFLOW	
CABINET WIDTH	FILTER QTY AND SIZE
14-1/2"	2 - 14" X 20" X 1"
17-1/2"	2 - 16" X 20" X 1"
21"	2 - 16" X 20" X 1"
24-1/2"	2 - 16" X 20" X 1"

# User's Information

## The Problem Solver

A furnace is not a household appliance. It is complex and requires professional maintenance and repair.

That's why attempts at "do-it-yourself" repairs on an in-warranty unit may void the remainder of your warranty.

Other than performing the simple maintenance recommended in this manual, you should not attempt to make any adjustments to your furnace. Your dealer will be able to take care of any questions or problems you may have. A periodic inspection of your furnace should be made by a qualified service agency at the start of each heating season.

### Keep your furnace looking like new for years.

Clean the enamel finish of your furnace with ordinary soap and water. For stubborn grease spots, use a household detergent. Lacquer thinner or other synthetic solvents may damage the finish.

### Save time and money. Before calling for service, check the following:

Problem	Possible Trouble	Possible Remedy
No Heating – Blower does not operate.	<ol style="list-style-type: none"> <li>1. Thermostat set incorrectly.</li> <li>2. Blown fuse or tripped circuit breaker.</li> <li>3. Defective component.</li> <li>4. Burner does not ignite.</li> <li>5. Main gas line turned off.</li> <li>6. Blower door removed or ajar.</li> <li>7. Lockout</li> </ol>	<ol style="list-style-type: none"> <li>1. Adjust thermostat. See operating instructions.</li> <li>2. Replace or reset protective device or call for servicer.</li> <li>3. Most controls are automatic and will recycle. If your unit still does not operate call for servicer.</li> <li>4. Call servicer.</li> <li>5. Have gas company check.</li> <li>6. Close door securely to restore power to blower and gas valve.</li> <li>7. Turn power on-off-on-off twice in 30 seconds.</li> </ol>
Insufficient Heating – Blower operates continuously.	<ol style="list-style-type: none"> <li>1. Dirty air filters.</li> <li>2. Blocked supply or return registers.</li> </ol>	<ol style="list-style-type: none"> <li>1. Clean or replace filters.</li> <li>2. Make sure registers are open and No obstacles blocking off the air.</li> </ol>
No Heat – Vent motor is running.	Restricted or plugged furnace Condensate drain.	<ol style="list-style-type: none"> <li>1. Remove drain clamps to condensate trap and drain pan outlet.</li> <li>2. Flush or clean drain blockage.</li> <li>3. Reinstall clamps.</li> </ol>
<b>Unusual Noise</b>		Call your servicer

The following warning complies with State of California law, Proposition 65.

## WARNING

### THIS PRODUCT CONTAINS FIBERGLASS WOOL INSULATION!

Fiberglass dust and ceramic fibers are believed by the State of California to cause cancer through inhalation. Glasswool fibers may also cause respiratory, skin, or eye irritation.

#### PRECAUTIONARY MEASURES

- Avoid breathing fiberglass dust.
- Use a NIOSH approved dust/mist respirator.
- Avoid contact with the skin or eyes. Wear long-sleeved, loose-fitting clothing, gloves, and eye protection.
- Wash clothes separately from other clothing: rinse washer thoroughly.
- Operations such as sawing, blowing, tear-out, and spraying may generate fiber concentrations requiring additional respiratory protection. Use the appropriate NIOSH approved respirator in these situations.

#### FIRST AID MEASURES

- Eye Contact** – Flush eyes with water to remove dust. If symptoms persist, seek medical attention.
- Skin Contact** – Wash affected areas gently with soap and warm water after handling.

## WARNING

### CARBON MONOXIDE POISONING HAZARD

THE SYSTEM'S VENTING INSTALLATION AND OPERATION INSTRUCTIONS MUST BE FOLLOWED. FAILURE TO FOLLOW THIS WARNING MAY RESULT IN PERSONAL INJURY, PROPERTY DAMAGE, CARBON MONOXIDE POISONING, OR DEATH.

## Regular Dealer Maintenance

**Never stop the cooling system by shutting off the main power.**

If the main power to your air conditioner is ever disconnected for more than three hours, turn off the thermostat. Then wait for at least three more hours after the power has been restored before turning the thermostat back on. Failure to follow this procedure could result in damage to your air conditioning system.

1. GENERAL INSPECTION – Examine the furnace installation for the following items:
  - a. All flue product carrying areas external to the furnace (i.e. chimney, vent connector) are clear and free of obstruction.
  - b. The vent connector is in place, slopes upward and is physically sound without holes or excessive corrosion.
  - c. The return air duct connection(s) is physically sound, is sealed to the furnace and terminates outside the space containing the furnace.
  - d. The physical support of the furnace should be sound without sagging, cracks, gaps, etc., around the base so as to provide a seal between the support and the base.
  - e. There are no obvious signs of deterioration of the furnace.

The following warning complies with State of California law, Proposition 65.

### **⚠ WARNING**

**HAZARDOUS GASES!  
EXPOSURE TO FUEL SUBSTANCES OR BY-PRODUCTS OF INCOMPLETE FUEL COMBUSTION IS BELIEVED BY THE STATE OF CALIFORNIA TO CAUSE CANCER, BIRTH DEFECTS, OR OTHER REPRODUCTIVE HARM.**

2. BLOWERS – The blower size and speed determine the air volume delivered by the furnace. The blower motor bearings are factory lubricated and under normal operating conditions usually do not require servicing. Annual cleaning of the blower wheel and housing is recommended for maximum air output, and this must be performed only by a qualified servicer or service agency.

### **⚠ WARNING**

**SAFETY HAZARD  
UNIT IS EQUIPPED WITH A BLOWER DOOR SWITCH WHICH CUTS POWER TO BLOWER AND GAS VALVE CAUSING SHUTDOWN WHEN DOOR IS REMOVED. UNIT MUST NOT BE ALTERED TO ALLOW OPERATION WITH THE BLOWER DOOR REMOVED. OPERATION WITH DOORS REMOVED OR AJAR CAN PERMIT THE ESCAPE OF DANGEROUS FUMES. ALL PANELS MUST BE SECURELY CLOSED AT ALL TIMES FOR SAFE OPERATION OF THE FURNACE. FAILURE TO FOLLOW THIS WARNING MAY RESULT IN PERSONAL INJURY, PROPERTY DAMAGE, CARBON MONOXIDE POISONING, OR DEATH.**

3. IGNITER – This unit has a special hot surface direct ignition device that automatically lights the burners. Please note that it is very fragile and should be handled with care.

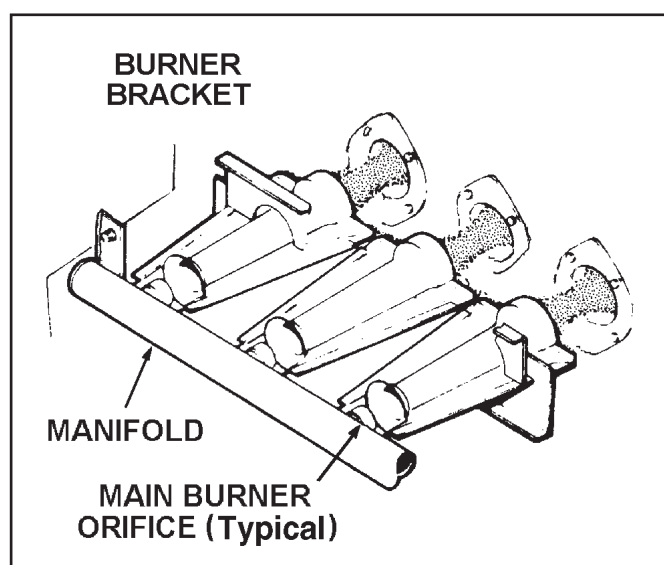
### **⚠ CAUTION**

**Do NOT touch igniter. It is extremely hot.**

4. BURNER – Gas burners do not normally require scheduled servicing, however, accumulation of foreign material may cause a yellowing flame or delayed ignition. Either condition indicates that a service call is required. For best operation, burners must be cleaned annually using brushes and vacuum cleaner.

Turn off gas and electric power supply. To clean burners, remove top burner bracket and lift burner from orifice.

**NOTE: Be careful NOT to break igniter when removing burners.**



Clean burners with brush and/or vacuum cleaner. Reassemble parts by reversal of the above procedure.

**NOTE: On LP (propane) units, some light yellow tipping of the outer mantle is normal. Inner mantle should be bright blue.**

*Natural gas units should not have any yellow tipped flames. This condition indicates that a service call is required. For best operation, burners must be cleaned annually using brushes and vacuum cleaner.*

**NOTE: On LP (propane) units, due to variations in BTU content and altitude, servicing may be required at shorter intervals.**

5. HEAT EXCHANGER/FLUE PIPE – These items must be inspected for signs of corrosion, and/or deterioration at the beginning of each heating season by a qualified service technician and cleaned annually for best operation.
6. CIRCUIT PROTECTION – If blower or gas valve fail to operate, the cause could be the circuit breaker or a loose or blown fuse. Replace fuse or reset circuit breaker.

# User's Information

---

7. OPERATION – Your warm air furnace should not be operated in a corrosive atmosphere. Paint solvents, cleaning chemicals, spray propellants, and bleaches should not be used in the vicinity of the furnace during normal operation.
8. CONDENSATE DRAINS – If you have a cooling coil installed with your furnace, condensate drains should be checked and cleaned periodically to assure that condensate can drain freely from coil to drain. If condensate cannot drain freely water damage could occur. Furnace drain should also be checked & cleaned at the start of each heating season.
9. AIR CIRCULATION – To ensure increased comfort, the blower on this unit may be operated continuously for both heating and cooling. This will result in constantly filtered air and aid in maintaining more even temperatures by avoiding temperature stratification throughout the conditioned area. To accomplish constant air circulation, set your thermostat fan switch to “ON”. Continuous fan mode during cooling operation may not be appropriate in humid climates. If the indoor air exceeds 60% relative humidity or simply feels uncomfortably humid, it is recommended that the fan only be used in the AUTO mode.

## WARNING

### **SAFETY HAZARD**

**SHOULD OVERHEATING OCCUR, OR THE GAS VALVE SUPPLY FAIL TO SHUT OFF, SHUT OFF THE MANUAL GAS VALVE TO THE FURNACE BEFORE SHUTTING OFF THE ELECTRICAL SUPPLY. FAILURE TO FOLLOW THIS WARNING MAY RESULT IN PERSONAL INJURY, PROPERTY DAMAGE, OR DEATH.**

---

In the event that electrical, fuel or mechanical failures occur, the owner should immediately turn off the gas supply at the manual gas valve located in the burner compartment and electrical power to the furnace and contact servicer.



## Base Limited Warranty Gas Furnace

**\*UD2-9V, \*DD2-9V, \*UD-AFV, \*DD-ACV, \*UD-ACV, \*UX-AFV, \*UH2, \*DH2, \*UH3, and \*DH3  
(Parts Only)**

(First letter may be preceded with an "A" or "T")

### Models Less Than 20 Tons

Subject to the terms and conditions of this limited warranty, Trane U.S., Inc. ("Company") extends a limited warranty against manufacturing defects for the product(s) identified in **Table 1, 1A, 1B** attached hereto ("Products") that are installed in a residential application (personal, family or household purposes) under normal use and maintenance in the United States and Canada.

**This limited warranty applies to Products manufactured on or after August 1, 2011.**

In order to maximize the available benefits under this limited warranty, the Purchaser (as defined below) should read it in its entirety. All repairs of Product parts covered under this limited warranty must be made with authorized service parts and by a licensed HVAC service provider. Additionally, commercial applications are treated differently under this limited warranty as stated in **Table 1, 1A, 1B** attached hereto. For purposes of this limited warranty, "commercial applications" shall mean any application other than for personal, family, or household use.

**TERM:** The limited warranty period for Products is as stated in **Table 1, 1A, 1B** attached hereto. If the Purchaser properly registers the Products, the limited warranty period shall be extended as stated in **Table 1, 1A, 1B** attached hereto. Regardless of registration, the Commencement Date for a limited warranty period shall be the date that the original installation is complete and all Product start-up procedures have been properly completed and verified by an installer's invoice. If the installation and start-up date cannot be verified by the installer's invoice, the Commencement Date shall be sixty (60) days after the factory manufacture date which is verified by the Product serial number. Where a Product is installed in a newly constructed home, the Commencement Date is the date the Purchaser purchased the residence from the builder. Proof of Product purchase, installation, and/or closing date of the residence may be required to confirm the Commencement Date.

The installation of Product replacement parts under this limited warranty shall not extend the original warranty period. The warranty period for any Product part replaced under this limited warranty is the applicable warranty period remaining under the original Product warranty.

**WHO IS COVERED:** This limited warranty is provided only to the original owner and his or her spouse ("Purchaser") of the residence where the Products are originally installed. This warranty is not transferable except according to terms stated on the applicable website identified below under Registration Requirements. Company has the right to request any and all proof of Product purchase or installation and/or closing date of the residence.

**WHAT COMPANY WILL DO:** Company may request proof of Product purchase and/or installation in order to provide Product parts under this limited warranty. As Company's only responsibility and Purchaser's only remedy under this limited warranty, Company will furnish a replacement part to the licensed HVAC service provider, without charge for the part only, to replace any Product part that fails due to a manufacturing defect under normal use and maintenance. The Purchaser must pay for any and all shipping and handling charges and other costs of warranty service for the replacement part. If a Product part is not available, Company will, at its option, provide a free suitable substitute part or provide a credit in the amount of the then factory selling price for a new suitable substitute part to be used by the Purchaser towards the retail purchase price of a new Company product. Any new Product purchase shall be at Purchaser's sole cost and expense including, but not limited to, all shipping, removal, and installation costs and expenses.

**REGISTRATION REQUIREMENTS:** All Products must be properly registered online by the Purchaser within sixty (60) days after the Commencement Date to receive the registered limited warranty terms. To register online, go to:

<http://www.trane.com/Residential/Trane/Owners/Warranty-Information> or

<http://www.americanstandardair.com/servicesupport/pages/warranty.aspx>

and click "Begin Online Registration." If a Purchaser does not register within this stated time period, the base limited warranty terms shall apply.

**ELIGIBILITY REQUIREMENTS:** The following items are required in order for the Products to be covered under this limited warranty:

- The Products must be in the same location where they were originally installed.
- The Products must be properly installed, operated, and maintained by a licensed HVAC service provider in accordance with the Product specifications or installation, operation, and maintenance instructions provided by Company with each Product. Failure to conform to such specifications and/or instructions shall void this limited warranty. Company may request written documentation showing the proper preventative maintenance.
- All Product parts replaced by Company under this limited warranty must be given to the servicing provider for return to Company.
- Air handlers, air conditioners, heat pumps, cased or uncased coils and stand-alone furnaces must be part of an Air Conditioning, Heating, and Refrigeration Institute rated and matched system or a specification in a Company provided bulletin or otherwise approved in writing by a Company authorized representative.

**EXCLUSIONS:** The following are not covered by this limited warranty:

- Labor costs including, but not limited to, costs for diagnostic calls or the removal and reinstallation of Products and/or Product parts.
- Shipping and freight expenses required to ship Product replacement parts.
- Failures, defects, or damage (including, but not limited to, any loss of data or property) caused by (1) any third party product, service, or system connected or used in conjunction with the Products; (2) any use that is not designed or intended for the Products; (3) modification, alteration, abuse, misuse, negligence, or accident; (4) improper storage, installation, maintenance, or operation including, but not limited to, operation of electrical equipment at voltages other than the range specified on the Product nameplate; (5) any use in violation of written instructions or specifications provided by Company; (6) any acts of God including, but not limited to, fire, water, storms, lightning, or earthquakes; or any theft or riots; or (7) a corrosive atmosphere or contact with corrosive materials such as, but not limited to, chlorine, fluorine, salt (provided that indoor and outdoor coils will only be covered if a Sea Coast Kit is installed), sulfur, recycled waste water, urine, fertilizers, rust, or other damaging substances or chemicals.
- Products purchased direct including, but not limited to, Internet or auction purchases and purchases made on an uninstalled basis.
- 3 phase models, cabinets or cabinet pieces that do not affect product performance, air filters, refrigerant, refrigerant line sets, belts, wiring, fuses, surge protection devices, non-factory installed driers, and Product accessories.
- Increased utility usage costs.

**REFRIGERANT POLICY:** Beginning on January 1, 2010, R-22 refrigerant will no longer be used as a manufacturer-installed refrigerant as required by federal regulation.

Any and all expenses or costs associated with replacing Product parts that are not R-410A compatible will not be covered by the terms and conditions of this limited warranty. In addition, all Products containing R-410A refrigerant include a liquid line filter drier which must be replaced when a compressor replacement is necessary. A suction line filter drier must be added for compressors defined as burnouts. Failure to comply with such filter drier requirements or the use of contaminated or alternate refrigerant or any non-approved refrigerant system additives including, but not limited to, dyes, will void this limited warranty.

#### ADDITIONAL TERMS:

**THIS LIMITED WARRANTY AND LIABILITY SET FORTH HEREIN ARE IN LIEU OF ALL OTHER WARRANTIES AND LIABILITIES, WHETHER IN CONTRACT OR IN NEGLIGENCE, EXPRESS OR IMPLIED, IN LAW OR IN FACT. THE IMPLIED WARRANTIES OF MERCHANTABILITY AND FITNESS FOR A PARTICULAR PURPOSE ARE LIMITED TO THE DURATION OF THE APPLICABLE PRODUCT WARRANTY. COMPANY DOES NOT AUTHORIZE ANY PERSON TO CREATE FOR IT ANY OBLIGATION OR LIABILITY IN CONNECTION WITH THE PRODUCTS.**

**NOTWITHSTANDING ANYTHING IN THIS LIMITED WARRANTY TO THE CONTRARY, COMPANY SHALL NOT BE LIABLE FOR ANY INCIDENTAL, CONSEQUENTIAL, INDIRECT, SPECIAL AND/OR PUNITIVE DAMAGES, WHETHER BASED ON CONTRACT, WARRANTY, TORT (INCLUDING, BUT NOT LIMITED TO, STRICT LIABILITY OR NEGLIGENCE), PATENT INFRINGEMENT, OR OTHERWISE, EVEN IF ADVISED OF THE POSSIBILITY OF SUCH DAMAGES. COMPANY'S MAXIMUM LIABILITY HEREUNDER IS LIMITED TO THE ORIGINAL PURCHASE PRICE OF THE PRODUCTS.**

No action arising out of any claimed breach of this limited warranty may be brought by a Purchaser more than one (1) year after the cause of action has arisen.

This limited warranty gives you specific legal rights, and you may also have other rights as otherwise permitted by law. If this Product is considered a consumer product, please be advised that some local laws do not allow limitations on incidental or consequential damages, how long a warranty lasts based on registration, or how long an implied warranty lasts, so that the above limitations may not fully apply. Refer to your local laws for your specific rights under this limited warranty.

Residential Systems  
6200 Troup Highway, Tyler, TX 75707  
Attn: Customer Relations

Or visit our website at [www.trane.com](http://www.trane.com) or [www.americanstandardair.com](http://www.americanstandardair.com)

GW-658-4911

# User's Information

**TABLE 1: Warranty Time Periods for Outdoor Units, Air Handlers, Packaged Air Conditioners and Heat Pumps, Furnaces and Cased and Uncased Coils**

**COVERAGE TERMS FOR RESIDENTIAL APPLICATIONS:** Pursuant to the Trane U.S., Inc. ("Company") limited warranty terms and conditions, the following Products are covered for the base time periods as stated below ("Base Limited Warranty Period"). If registered, the Base Limited Warranty Periods for certain Products will be extended as stated below ("Registered Limited Warranty Period").

**SINGLE PHASE R410 OUTDOOR UNITS:**

Base Limited Warranty Period: Compressor, Outdoor Coil, Parts: five (5) years.  
Registered Limited Warranty Period:

**TRANE:** 4TTM3, ASD\*\* 4A7M3; Compressor, Outdoor Coil, Parts – ten (10) years.

**TRANE:** 4TTB3, 4TTB4, 4TWB4, 4TWB3, ASD: 4A7B4, 4A6B4, 4A7B3, 4A6B3; Compressor, Outdoor Coil, Parts – ten (10) years.

**TRANE:** 4TTR5, 4TTR3, 4TWR5, 4TWR3, ASD: 4A7A5, 4A7A3, 4A6H5, 4A6H3; Compressor, Outdoor Coil, Parts – ten (10) years.

**TRANE:** 4TTX6, 4TTX6, 4TTX5, 4TWZ0, 4TWX6, 4TWX5, ASD: 4A7Z0, 4A7A6, 4A6Z0, 4A6H6; compressor – twelve (12) years, Outdoor Coil, Parts – ten (10) years.

**SINGLE PHASE R22 OUTDOOR UNITS:**

Base Limited Warranty Period: Compressor, Outdoor Coil, Parts - one (1) year.  
Registered Limited Warranty Period:

**TRANE:** 2TTB3, 2TWB3, ASD: 2A7B3, 2A6B3; Compressor, Outdoor Coil, Parts – five (5) years.

**3- PHASE OUTDOOR UNITS (models up to 5 Ton):**

Base Limited Warranty Period: Compressor, Outdoor Coil, Parts - one (1) year.  
Registered Limited Warranty Period:

**TRANE:** 4TTA, 4TTWA, ASD: 4A7C, 4A6C; Compressor, Outdoor Coil, Parts - five (5) years.

**AIR HANDLERS:**

Base Limited Warranty Period: Indoor Coil and Parts – five (5) years.  
Registered Limited Warranty Period:

**TRANE and ASD:** GAM5, \*AM4, \*AM7, \*AM8, GAT2, GAF2; Indoor Coil and Parts – ten (10) years.

Base Limited Warranty Period: Indoor Coil and Parts – one (1) year.  
Registered Limited Warranty Period:

**TRANE and ASD:** 2/4TEE, 2/4TFE, 2/4TEC; Indoor Coil and Parts – five (5) years.

**PACKAGED AIR CONDITIONERS and PACKAGED HEAT PUMPS:**

**TRANE and ASD:** 4WCZ6:

Base Limited Warranty Period: Compressor, Outdoor Coil, Parts – five (5) years.  
Registered Limited Warranty Period: Compressor – twelve (12) years, Outdoor Coil, Parts – ten (10) years.

**TRANE and ASD:** 4DCZ6, 4YCCZ6:

Base Limited Warranty Period: Compressor, Outdoor Coil, Parts – five (5) years, Heat Exchanger – twenty (20) years.  
Registered Limited Warranty Period: Compressor – twelve (12) years, Outdoor Coil, Parts – ten (10) years.

**TRANE and ASD:** 4DCY4, 4YCY4, 4YCX3:

Base Limited Warranty Period: Compressor, Outdoor Coil, Parts – five (5) years, Heat Exchanger – twenty (20) years.  
Registered Limited Warranty Period: Compressor, Outdoor Coil, and Parts – ten (10) years.

**TRANE and ASD:** 4TCY4, 4TCX3, 4WCY4, 4WCX3:

Base Limited Warranty Period: Compressor, Outdoor Coil, Parts – five (5) years.  
Registered Limited Warranty Period: Compressor, Outdoor Coil, and Parts – ten (10) years.

**TRANE and ASD:** 4YCC3:

Base Limited Warranty Period: Compressor, Outdoor Coil, Parts – five (5) years, Heat Exchanger – ten (10) years.  
Registered Limited Warranty Period: Compressor, Outdoor Coil, Parts – ten (10) years.

**TRANE and ASD:** 4TCC3, 4WCC3:

Base Limited Warranty Period: Compressor, Outdoor Coil, and Parts – five (5) years .  
Registered Limited Warranty Period: Compressor, Outdoor Coil, Parts – ten (10) years.

**TRANE and ASD:** 4WHC3:

Base Limited Warranty Period: Compressor, Outdoor Coil, and Parts – five (5) years.

**FURNACES:**

**TRANE and ASD:** \*UE1/\*DE1:

Base Limited Warranty Period: Parts – five (5) years, Heat Exchanger – twenty (20) years.  
Registered Limited Warranty Period: Parts – ten (10) years, Heat Exchanger: twenty (20) years.

**TRANE and ASD:** \*UD1/\*DD1; \*UD2/\*DD2; \*UD1-H/\*DD1-H:

Base Limited Warranty Period: Parts: five (5) years, Heat Exchanger – twenty (20) years.  
Registered Limited Warranty Period: Parts – ten (10) years, Heat exchanger– twenty (20) years,

**TRANE and ASD:**\*UD2-V/\*DD2-V; \*UD2-C-V/\*DD2-C-V:

Base Limited Warranty Period: Parts: five (5) years, Heat Exchanger – twenty (20) years.  
Registered Limited Warranty Period: Parts – ten (10) years, Heat exchanger– Lifetime

**TRANE and ASD:** \*UC1/\*DC1:

Base Limited Warranty Period: Parts – five (5) years, Heat Exchanger – twenty (20) years.  
Registered Limited Warranty Period: Parts – ten (10) years, Heat Exchanger - Lifetime.

**TRANE and ASD:** \*UH1/\*DH1;\*UX1/\*DX1; \*UH2/\*DH2; \*UHM/\*DHM:

Base Limited Warranty Period: Parts – five (5) years, Heat Exchanger – twenty (20) Years.  
Registered Limited Warranty Period: Parts– ten (10) years, Heat Exchanger– Lifetime.

\*Note: First digit may be a "T" or an "A"

Note Regarding Heat Exchanger: If a heat exchanger fails because of a manufacturing defect within the sixth through twentieth year of the applicable warranty period, Company will, at its sole option, provide either a replacement heat exchanger without charge, or allow a credit in the amount of the then factory selling price of an equivalent heat exchanger toward the retail purchase price of a new heating unit.

**CASED AND UNCASSED COILS:**

Base Limited Warranty Period: Coil, Parts – five (5) years.

Registered Limited Warranty Period:

**TRANE and ASD:** 2/4 TXC, 2/4 TXA, 4CXC, 4TXF-CC/CZ; Coil, Parts– ten (10) years.

**SPECIFIC TERMS FOR COMMERCIAL APPLICATIONS (Models listed in Tables 1, 1A, 1B)**

Base Limited Warranty Period: Coil, Parts- one (1) year.

Base Limited Warranty Period: Compressor- five (5) years.

Base Limited Warranty Period for Packaged Unit Heat Exchanger: five (5) years.

Base Limited Warranty Period For All Heat Exchangers on All Other Furnace: twenty (20) years.

\*\*ASD – American Standard Models

**Table 1A: Warranty Time Periods for Controls, Zoning Products, Humidifiers, Energy Recovery Ventilators, Air Cleaners and Oil Furnaces (Variable and Non-Variable Speed)**

**COVERAGE TERMS FOR RESIDENTIAL APPLICATIONS:** Pursuant to the Trane U.S., Inc. ("Company") limited warranty terms and conditions, the following Products are covered for the base time periods as stated below ("Base Limited Warranty period"). If registered, the Base Limited Warranty Periods for certain products will be extended as stated below ("Registered Limited Warranty Period").

**CONTROLS:** \*CONT200,\*CONT401,\*CONT402,\*CONT600 & \*CONT602

Base Limited Warranty Period: one (1) year  
Registered Limited Warranty Period: five (5) years

**CONTROLS:** \*ZEMT500 \*CONT800,\*CONT802,\*CONT803,\*CONT900. \*ZONE950

Base Limited Warranty Period: five (5) years  
Registered Limited Warranty Period: ten (10) years

**ZONING PRODUCTS:** \*ZONE950, \*ZONE940, \*ZONE930, ZZONEPNLAC5Z2, ZZONEEXPAC5Z2, ZZSEN-

**SAL0400, BAYSEN01ATEMPA, BAY24VRP, ZDAMP2, ZDAMP3M, ZDAMPBM, ZDAMP4**

Base Limited Warranty Period: five (5) years  
Registered Limited Warranty Period: ten (10) years

**HUMIDIFIERS:** \*HUMD200, \*HUMD300 & \*HUMD500

Base Limited Warranty Period: five (5) years  
Registered Limited Warranty Period: ten (10) years

**ENERGY RECOVERY VENTILATOR (ERV):** \*ERVR100, \*ERVR200 & \*ERVR300

Base Limited Warranty Period: five (5) years  
Registered Limited Warranty Period: ten (10) years

**AIR CLEANERS: TFD & AFD**

Base Limited Warranty Period: five (5) years  
Registered Limited Warranty Period: ten (10) years

**VARIABLE SPEED OIL FURNACE:** \*HV-V, \*LF-V, \*LR-V,\*DF-V

Base Limited Warranty Period: Parts- five (5) years, Heat Exchanger - twenty (20) years  
Registered Limited Warranty Period: Parts - ten (10) years, Heat Exchanger - Lifetime

**NON-VARIABLE SPEED OIL FURNACE:** \*HV, \*LF, \*LR,\*DF

Base Limited Warranty Period: Parts- five (5) years, Heat Exchanger - twenty (20) years  
Registered Limited Warranty Period: Parts - ten (10) years, Heat Exchanger - Lifetime

**SPECIFIC TERMS FOR COMMERCIAL APPLICATIONS:**

Base Limited Warranty Period Applies for all controls, zoning products, humidifiers and ERV's  
All Oil Furnaces: Parts - one (1) year, Heat Exchanger - twenty (20) years.

\*(First letter may be A or T)

**Table 1B: Warranty Time Periods for Installed Accessories in Air Handlers and Packaged Units**

**COVERAGE TERMS FOR RESIDENTIAL APPLICATIONS:** Pursuant to the Trane U.S., Inc. ("Company") limited warranty terms and conditions, the following Products are covered for the time periods as stated below.

**Electric Heaters for Multi-Position Air Handlers**

**HEATERS,** Installed in GAT2, 4 & 5 Series Air Handlers: BAYEA  
Limited Warranty Period: ten (10) years

**HEATER,** Installed in 7 & 8 Series Air Handlers: BAYEV  
Limited Warranty Period: ten (10) years

**HEATER,** Installed in GAF2 Air Handlers: BAYEC  
Limited Warranty Period: five (5) years

**Optional Accessories for Multi-Position Air Handlers**

**UVC LIGHTS,** Installed in GAT2, GAF2, 4, 5, 7 & 8 Series Air Handlers: BAYUVC  
Limited Warranty Period: Ballast - ten (10) years, Bulbs - one (1) year

**COMPRESSOR CONTROL MODULE,** Installed in 8 Series Air Handlers: BAY24CCVK  
Limited Warranty Period: ten (10) years

**Hydronic Heaters for Multi-Position Air Handlers**

**HOT WATER COIL,** Installed in 5 Series Air Handlers: BAYWAAA05, BAYWABB07 or BAYWACC08  
Limited Warranty Period: ten (10) years

**HOT WATER COIL,** Installed in 7 Series Air Handlers: BAYWV & BAYWA  
Limited Warranty Period: ten (10) years

**HOT WATER COIL,** Installed in 8 Series Air Handlers: BAYWV  
Limited Warranty Period: ten (10) years

**Electric Heaters for Spit Systems and Convertible Air Handlers**

**HEATERS,** Installed in 4TEE & 4TEC Air Handlers: BAYHTR14  
Limited Warranty Period: ten (10) years

**Electric Heaters for Packaged Units**

**HEATERS,** Installed in 4TC\*3 & 4, 4WC\*3, 4 & 6 Packaged Units: BAYHTRV  
Limited Warranty Period: ten (10) years

**HEATERS,** Installed in 4WHC Packaged Units: BAYHTRC  
Limited Warranty Period: ten (10) years

**Optional Accessories for Packaged Units**

**UVC LIGHTS,** Installed in 4TC\*3 & 4, 4WC\*3, 4 & 6, 4YC\*3, 4 & 6, 4DC\*4 & 6 Packaged Units: BAYUV  
Limited Warranty Period: Ballast - ten (10) years, Bulbs - one (1) year

**ECONOMIZERS,** Installed in 4TC\*3 & 4, 4WC\*3, 4 & 6, 4YC\*3, 4 & 6, 4DC\*4 & 6 Packaged Units: BAYECON  
Limited Warranty Period: ten (10) years

**MOTORIZED DAMPER,** Installed in 4TC\*3 & 4, 4WC\*3, 4 & 6, 4YC\*3, 4 & 6, 4DC\*4 & 6 Packaged Units: BAYDMPR  
Limited Warranty Period: ten (10) years

\*(First letter may be A or T)

## Important Product Information

Registering your products helps provide you with one of the strongest manufacturer limited warranties available. To register, go to the manufacturer's website or contact your dealer. You will need the serial number, model number, and installation date for each product being registered. Your dealer may have included these on your invoice or can provide a list for you to use. Please take a few moments to record the following information to ensure your product registration process is quick and easy:

Furnace Serial Number \_\_\_\_\_

Furnace Model Number \_\_\_\_\_

Indoor Coil Serial Number \_\_\_\_\_

Indoor Coil Model Number \_\_\_\_\_

Date of Installation \_\_\_\_\_

Dealer \_\_\_\_\_

### Service Information

Call your installing dealer if the unit is inoperative. Before you call, always check the following to be sure service is required:

- a. Be sure the main switch that supplies power to the unit is in the ON position.
- b. Replace any burned-out fuses or reset circuit breakers.
- c. Be sure the thermostat is properly set.

Service Phone \_\_\_\_\_

---

File name	32-5063-05
Supersedes	32-5063-04
Date	11/11

---

*The manufacturer has a policy of continuous product and product data improvement, and it reserves the right to change design and specifications without notice.*

**Trane**  
**6200 Troup Highway**  
**Tyler, TX 75707**